

OKI®

MICROLINE® 186



User's Guide

59358801

*Oki, Network Solutions
for a Global Society*

Every effort has been made to ensure that the information in this document is complete, accurate, and up-to-date. Oki Data assumes no responsibility for the results of errors or omissions beyond its control. Oki Data also cannot guarantee that changes in software and equipment made by other manufacturers and referred to in this document will not affect the applicability of the information in it. Mention of software products manufactured by other companies does not necessarily constitute endorsement by Oki Data.

Copyright 2004 by Oki Data. All Rights Reserved

Document: MICROLINE ML186 User's Guide

First Edition: January, 2004

Written and produced by the Oki Data Training and Publications Department.

Please address any comments on this publication to:

Oki Data Americas, Inc.
Training and Publications Department
2000 Bishops Gate Blvd.
Mount Laurel, NJ 08054-4620

We invite you to visit Oki Data's multilingual web site at:

<http://www.okidata.com>.

OKI, Oki Data and MICROLINE are registered trademarks of Oki Electric Industry Company, Ltd. Epson is a registered trademark of Seiko Epson Corporation (SEC), registered in the U.S. and other countries. IBM is a registered trademark of IBM Corporation. LINUX is a registered trademark of Linus Torvalds. Microsoft, MS-DOS, Windows, Windows NT and DOS are either registered trademarks or trademarks of Microsoft Corporation in the United States and/or other countries. Word Perfect is a registered trademark of Corel Corporation.

Contents

Notes, Cautions, etc.	4
Getting Started	5
Location	5
Contents and Unpacking	5
Removing the Shipping Restraint	6
Installing/Replacing the Ribbon Cartridge	7
Installing the Platen Knob	10
Adjusting the Head Gap	11
Installing the Paper Separator	12
Setting Up Your Printer	13
Power Connection	13
Loading Paper	14
Testing Your Printer	29
Computer Connections	30
Setting up the Printer to Work with Your Computer	35
Operating Your Printer.	39
Front Panel Operation	39
Setting Printer Defaults	42
Using the Pull Tractor Unit	50
Using the Roll Paper Stand	53
Maintenance	57
Replacing the Ribbon Cartridge	57
Testing Your Printer	59
Cleaning the Housing	61
Troubleshooting	63
General Information	63
Clearing Paper Jams	69
Parts & Options	78
Replacement Parts	78
Options	79
Specifications	80
Index	84

Notes, Cautions, etc.

Note

A note appears like this. It provides additional information which helps you to use and understand the product.

Important

An important message appears like this. It provides supplemental information which can prevent potential problems.

CAUTION!

A caution message appears like this. It provides information which, if ignored, can result in equipment malfunction or damage.

WARNING!

A warning message appears like this. It provides information which, if ignored, can result in the risk of personal injury.

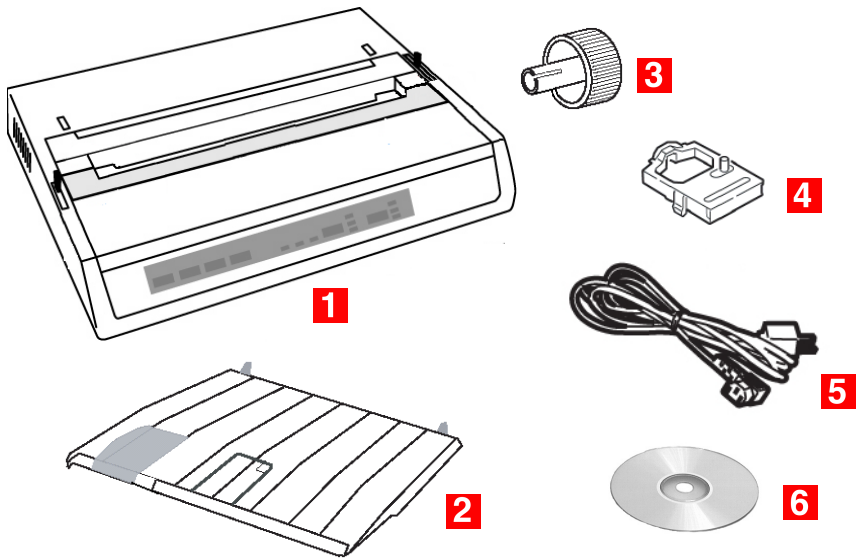
Getting Started

Location

- Select a firm, solid surface for your printer.
- Allow enough space around the printer to easily access the platen knob and the various paper feed paths.
- Make sure a suitable grounded power outlet is available nearby.

Contents and Unpacking

- If any items are missing, contact your dealer immediately.
- Keep your packing materials and carton in case you ever need to ship or transport the printer.
- Interface cables and paper are sold separately.



1 ML186 Printer

2 Paper Separator

3 Platen Knob

4 Ribbon Cartridge

5 Power Cord

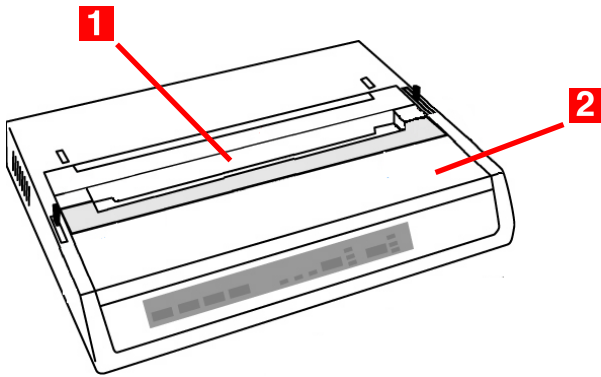
6 CD

Removing the Shipping Restraint

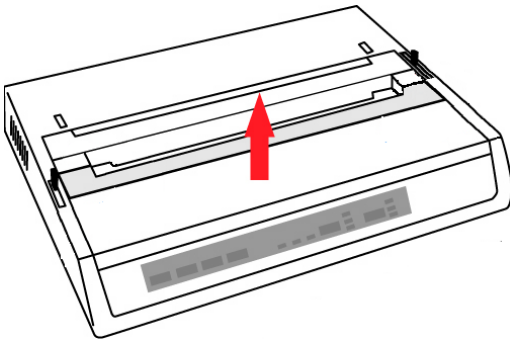
Important!

Do not plug the printer into the power outlet until the following steps have been completed.

1. Remove any packing tape.
2. Reach into the top cover slot (1) and remove the access cover (2) by lifting it.



3. Remove the printhead shipping restraint. Keep the shipping restraint for future use.



4. Reinstall the access cover.

Installing/Replacing the Ribbon Cartridge

Use only genuine Oki Data ribbon cartridges.

When replacing a ribbon cartridge, make sure you have the correct replacement ribbon for your printer. The wrong ribbon will not print when installed in your printer.

Important

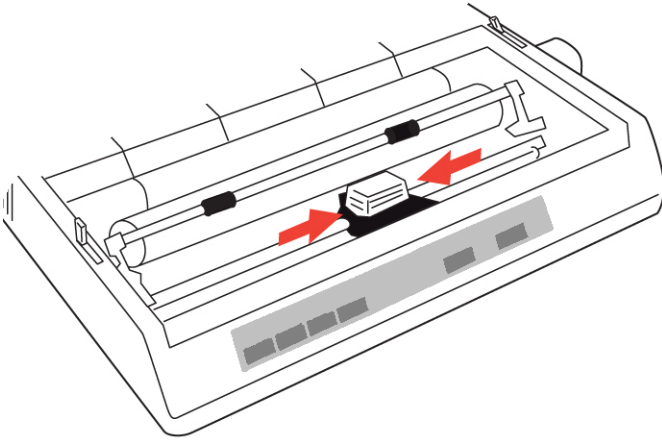
- Leave unused ribbon cartridges in their packaging until you are ready to install them.
- **Careful!** The ribbon ink can cause permanent stains.
- Ribbon ink on skin or clothing can usually be removed with soap and water.

1. Make sure the printer is turned off!

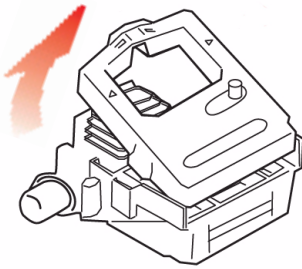
WARNING!

If the printer has been recently used, the printhead may be **HOT!**

2. Remove the access cover and center the printhead.

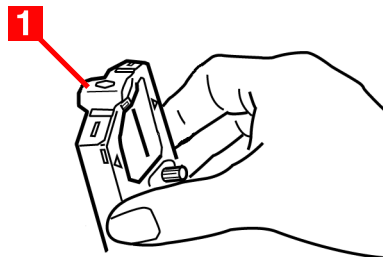


3. If you are replacing the ribbon cartridge, remove the used one:

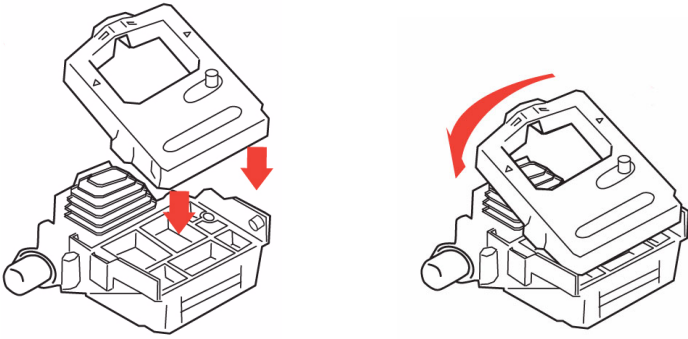


Important

Do not remove the ribbon shield (1) from the new ribbon!



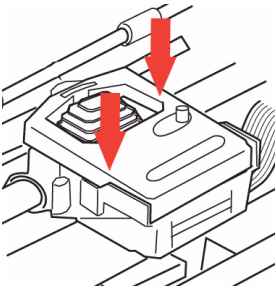
4. Unpack the ribbon cartridge and install it on the printhead.



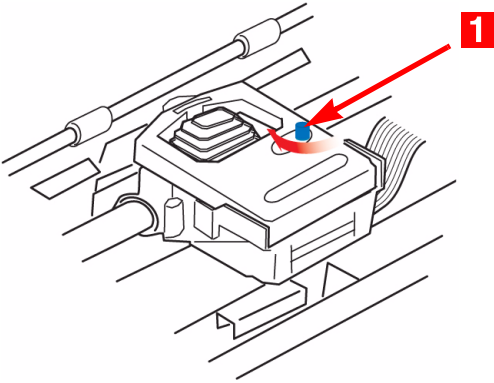
Note

If the ribbon won't load easily, turn the take-up knob slightly until the x-shaped notch on the bottom of the ribbon cartridge aligns with the x-shaped insert on the ribbon plate.

5. Press gently on the ribbon cartridge until you feel it click into place.



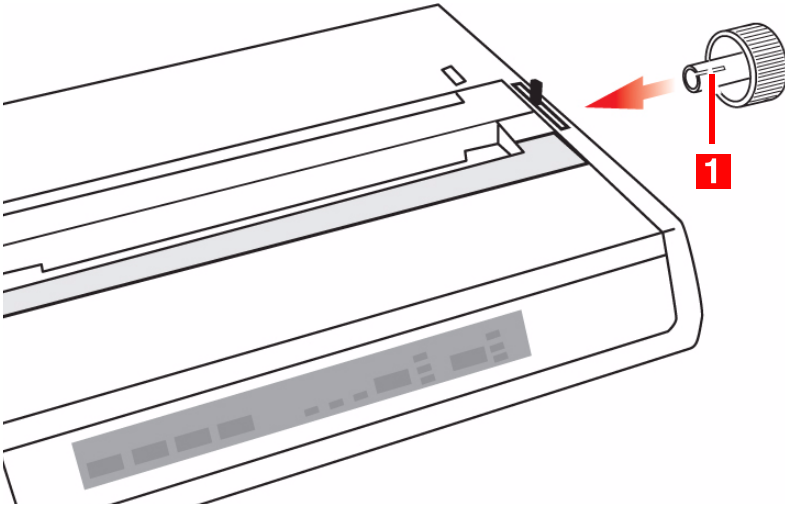
6. Turn the take-up knob (1) in the direction of the molded arrow to take up any ribbon slack.



7. Replace the access cover.

Installing the Platen Knob

Align the notch (1) with the pin on the platen shaft and push it firmly into place.



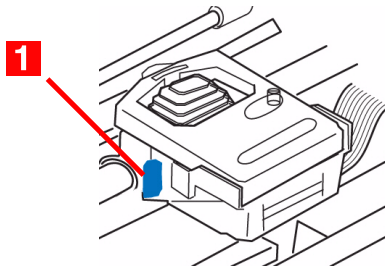
Adjusting the Head Gap

The head gap is the distance between the printhead and the platen roller. When you use envelopes or multipart forms, you need to have a larger gap than when using plain paper. Use the recommended head gap to ensure the best print quality and easy paper feed

CAUTION!

Incorrect setting of the head gap can cause printhead damage or ribbon jams. To avoid these problems set the head gap for the type of media being used.

To adjust the head gap, move the colored lever (1) located to the left of the ribbon cartridge to the correct position for the type of media being used ...



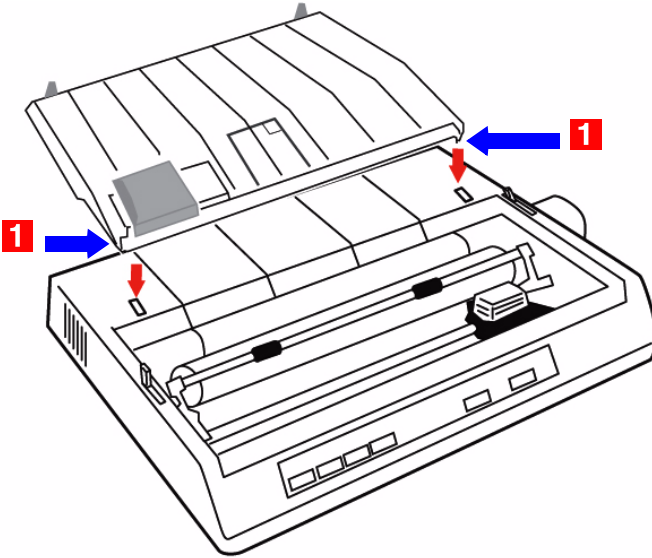
...as detailed in the following table:

Paper Type	Lever Position
Single Sheets, up to 20 lb. (75 g/m ²)	1 or 2
Forms, 2-part [maximum thickness 0.28 mm]	2 or 3
Forms, 3-part [maximum thickness 0.28 mm]	3
Forms, 4-part [maximum thickness 0.28 mm]	3

Installing the Paper Separator

The paper separator is used for printing on single sheets (no carbons). With continuous forms paper, it is used to separate the ingoing/outgoing paper to prevent paper jams.

1. Hold the paper separator with the spring-loaded feet down.
2. Place the tabs (1) on the paper separator in the two corresponding slots (↓) on the printer.

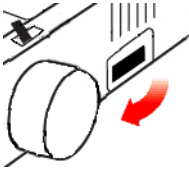


3. Press down to release the paper separator onto the printer.

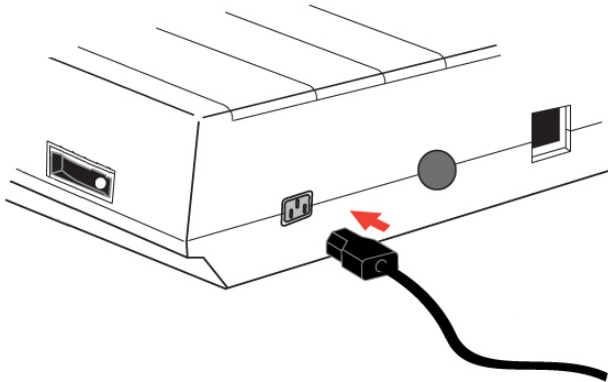
Setting Up Your Printer

Power Connection

1. Make sure the printer is turned off.



2. Plug the power cord supplied with your printer into the back of the printer.



Important

The outlet voltage must match the voltage marked on the printer label.

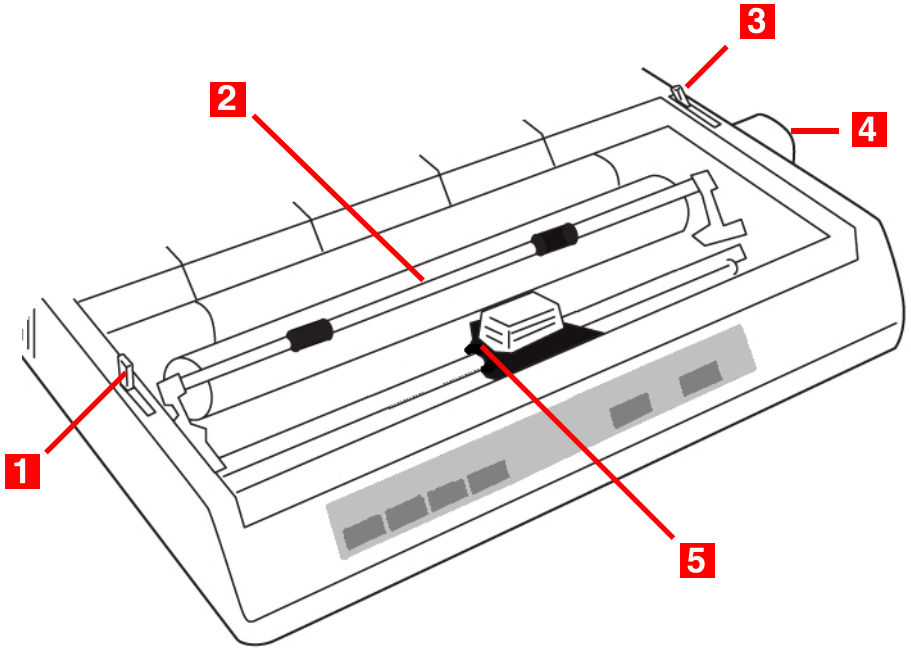
3. Plug the other end of the power cord into an appropriate grounded outlet.

Loading Paper

Three types of paper can be used with your printer:

- Continuous Forms Paper
(with or without the optional Pull Tractor)
- Single Sheets
- Roll Paper, *using the optional Roll Paper Stand*

Before You Start

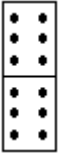


- 1 Bail Arm Lever
- 2 Bail Arm
- 3 Paper Lever
- 4 Platen Knob
- 5 Head Gap Lever

Paper Lever Positions



= Single Sheet Feed



= Continuous Forms

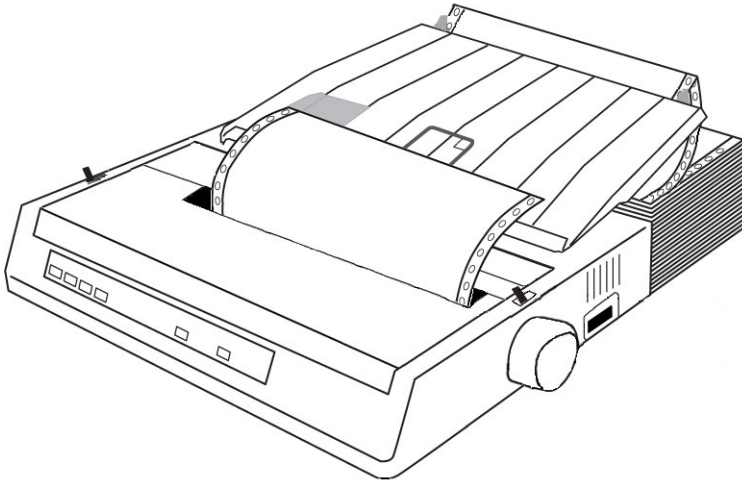
Setting the Head Gap

Before you load paper, be sure to check the head gap lever setting (see page 11).

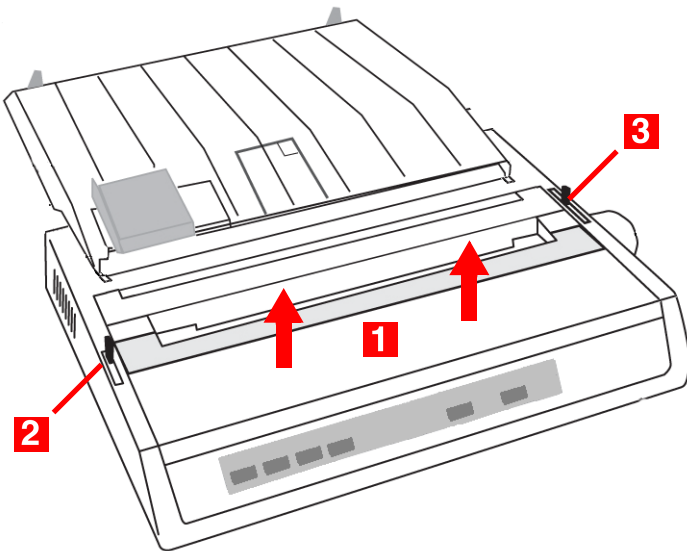
Important

Do not plug the printer into the power outlet until the following steps have been completed.

Loading Continuous Forms, Rear Feed

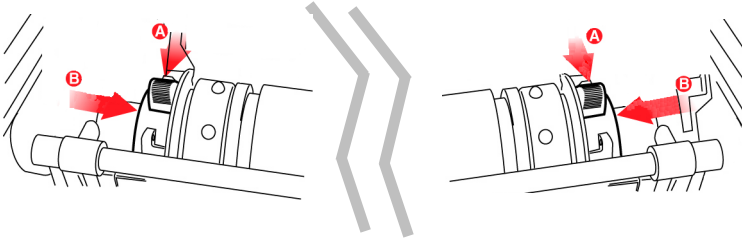


1. **Make sure the printer is turned off.**
2. Place the stack of continuous forms paper behind the printer.
3. Remove the access cover (1).

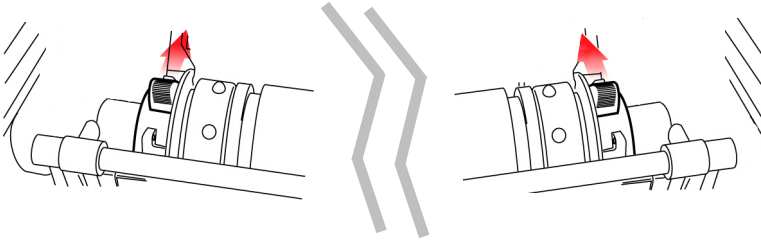


4. Pull the bail arm lever (2) — on the left side of the printer — toward the front of the printer to lift the bail arm.

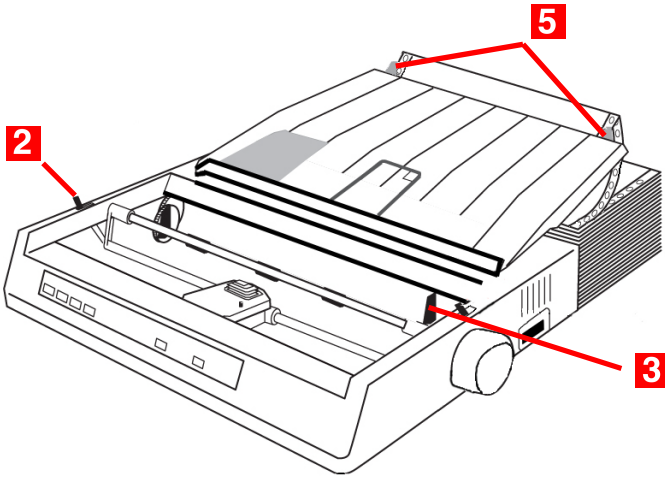
5. Move the paper lever (3) — on the right side of the printer — toward the front of the printer to the continuous forms symbol.
6. Pull the lock levers (A) on the sprocket wheels at either end of the platen forward, then adjust the sprocket wheels (B) so that the sprockets align with the holes in the continuous forms you are using.



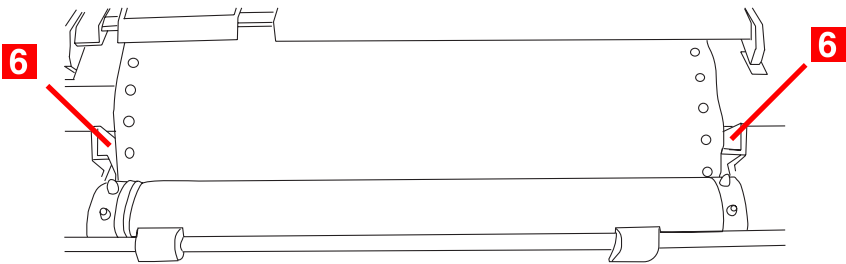
7. Push the levers back to lock the sprocket wheels in position.



8. Insert the first sheet of paper between the paper separator guides (5) and push it through the paper separator.



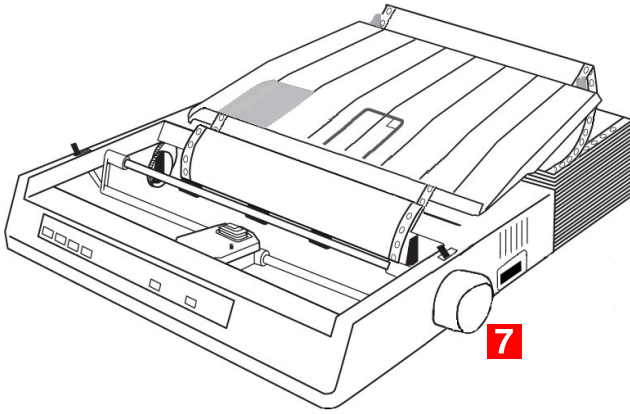
9. Place the paper between the sprocket feed guides (6) and feed it behind the platen, gently positioning it so that its holes engage the sprockets on the ends of the platen.



Note

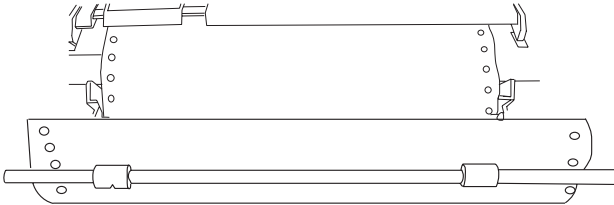
Make sure you keep the lead edge of the paper straight so that the sprockets engage the matching pins on either side. Otherwise the paper will feed in skewed and paper jams will occur.

10. Turn the platen knob (7) to advance the paper until it appears in front of the platen, behind the bail arm.

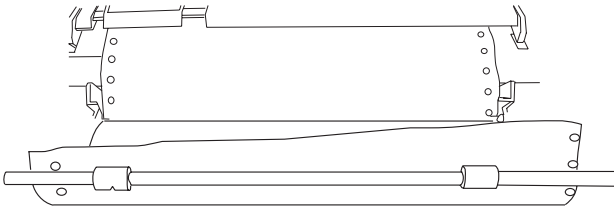


Important

Check to be sure that the matching holes on either side are engaging the sprockets (A). If they are not evenly matched and the paper is skewed (B), back the paper out and try again!

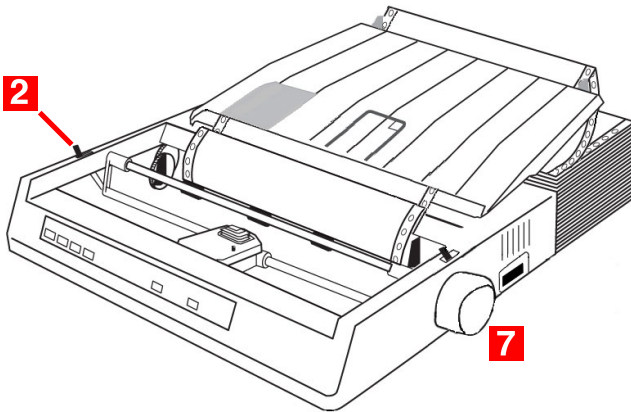


A



B

11. Push back on the bail arm lever (2) to lower the bail arm.

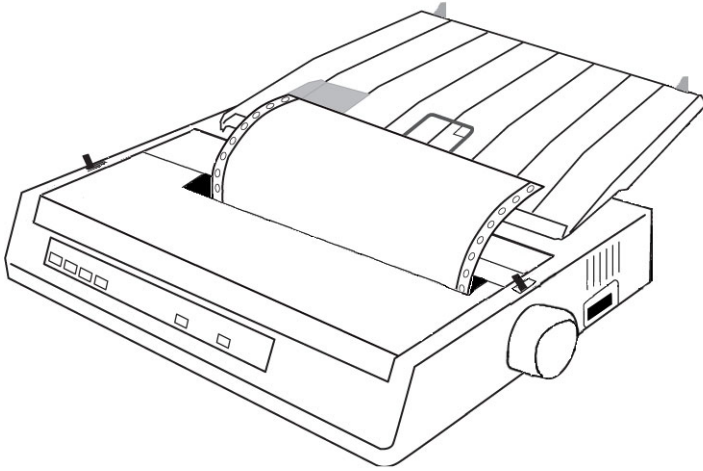


12. Use the platen knob (7) to set the position of the paper to the first printing line.

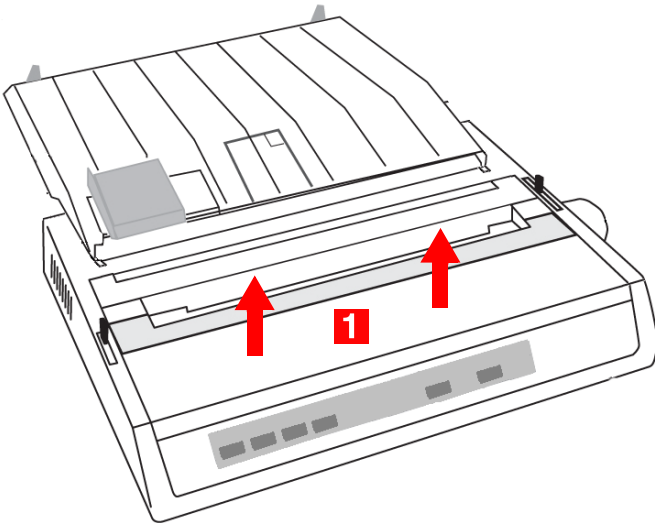
13. Replace the access cover, being sure to feed the edge of the paper through the slot in the cover.

14. Turn the printer on.

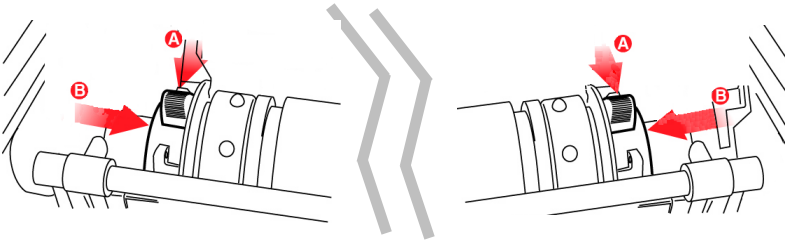
Loading Continuous Forms, Bottom Feed



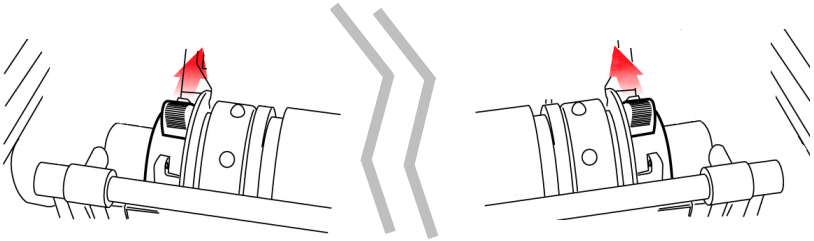
- 1. Make sure the printer is turned off.**
2. Place the printer on a slotted printer stand, carefully aligning the slot in the stand with the slot in the base of the printer.
3. Place a box of continuous forms paper on the stand, under the printer.
4. Remove the access cover (1).



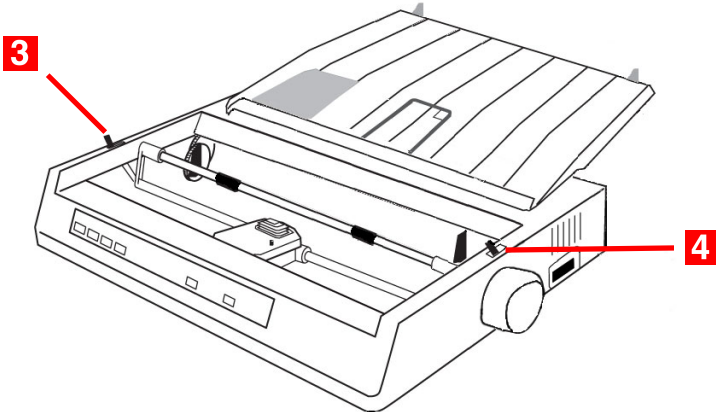
5. Pull the lock levers (A) on the sprocket wheels at either end of the platen forward, then adjust the sprocket wheels (B) so that the sprockets align with the holes in the continuous forms you are using.



6. Push the levers back to lock the sprocket wheels in position.



7. Pull the bail arm lever (3) — on the left side of the printer — toward the front of the printer to lift the bail arm.

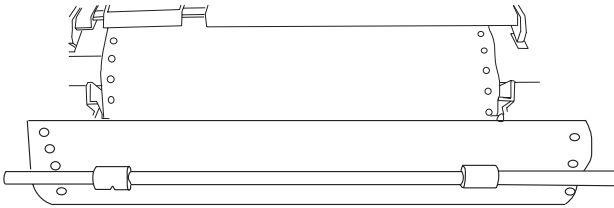


8. Move the paper lever (4) — on the right side of the printer — toward the front of the printer to the continuous forms symbol.

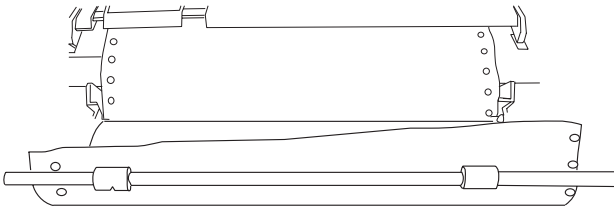
9. Insert the first sheet of continuous forms paper through the opening in the printer stand and into the bottom of the printer, gently feeding it into the printer until it appears in front of the platen, and above the bail arm.

Important

Check to be sure that the matching holes on either side are engaging the sprockets (**A**). If they are not evenly matched and the paper is skewed (**B**), back the paper out and try again!

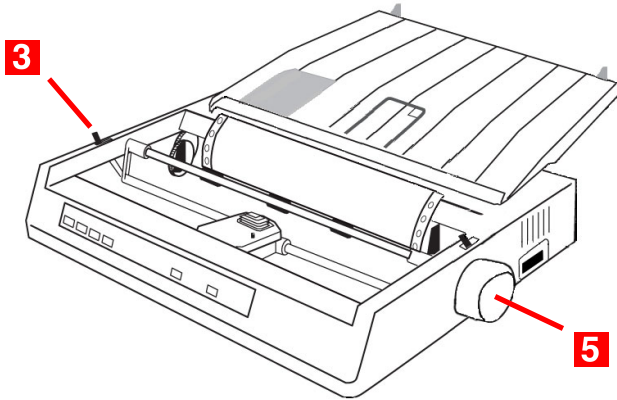


A



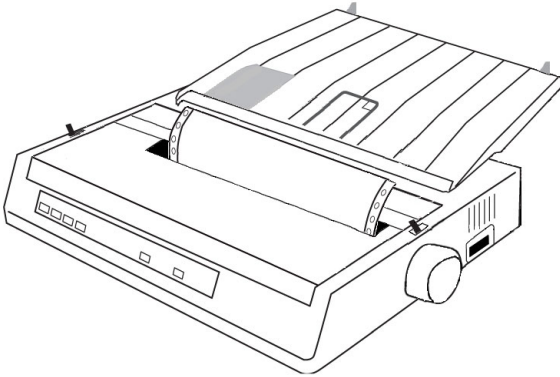
B

10. Move the bail arm lever (3) back to lower the bail arm.



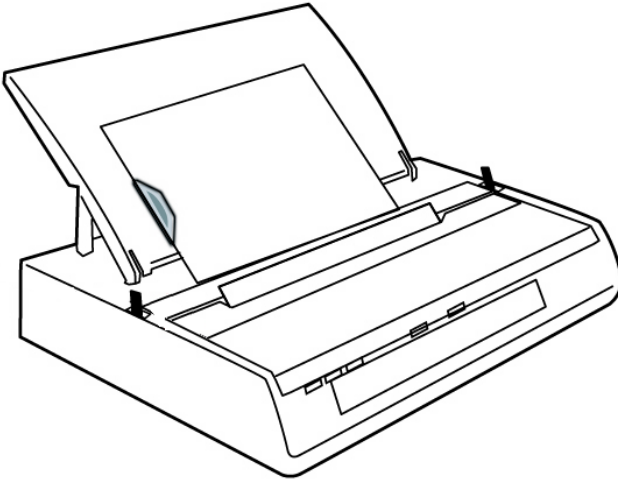
11. Use the platen knob (5) to advance the paper to the first printing line.

12. Replace the access cover, being sure to feed the edge of the paper through the slot in the cover.



13. Turn the printer on.

Loading Single Sheets



Note

Before printing single sheets, you must remove the Pull Tractor or Roll Paper Stand, if installed.

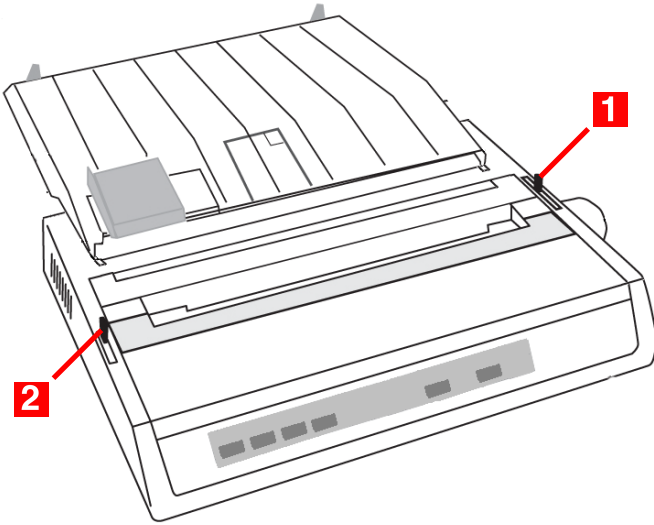
Your printer can accommodate single sheets up to 9.5 inches (241 mm) wide.

Note

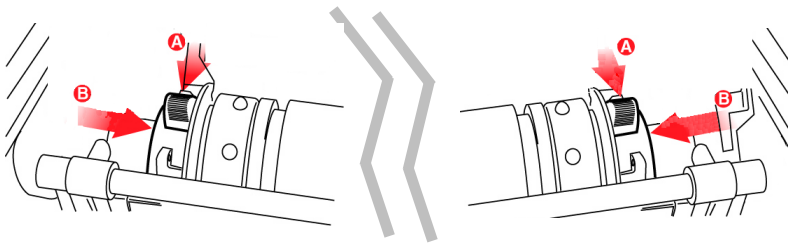
In order to use paper wider than traditional letter size, you must move the sprocket wheels to their outermost positions so that the paper does not tear on the sprockets. See the directions below.

1. Turn the printer on.

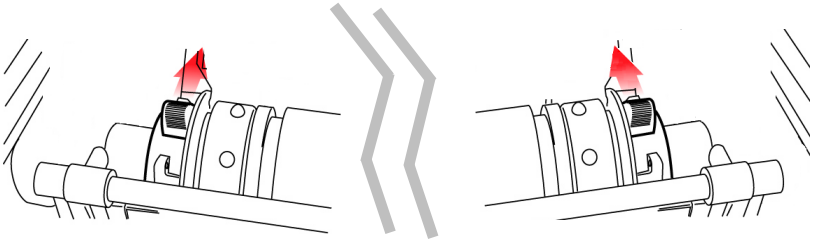
2. Move the paper lever (1) — on the right side of the printer — toward the rear of the printer, to the single sheet symbol.



3. Ensure that the printer is *off-line* (press **SELECT** if necessary).
4. If you are using paper wider than 8.5 inches (216 mm), move the sprocket wheels to their outermost position:
 - a. Remove the access cover.
 - b. Pull the lock levers (A) at either end forward and move the sprocket wheels (B) as needed.

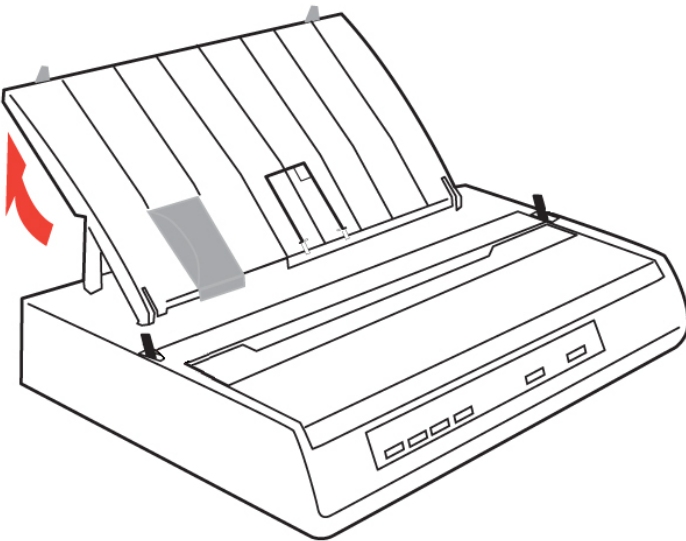


c. Push back on the levers to lock the sprocket wheels in position.

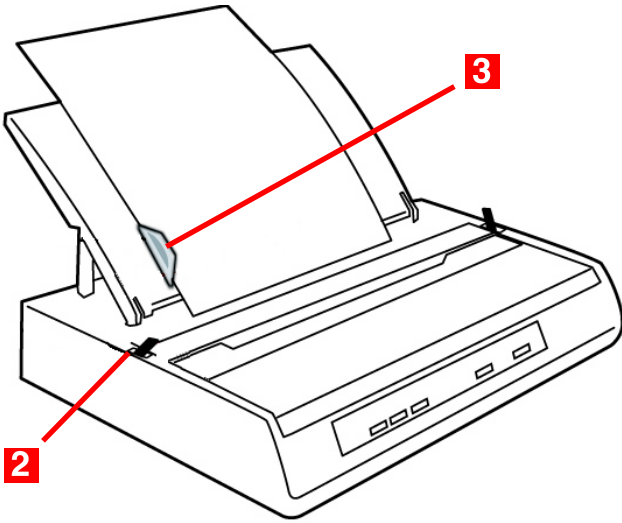


5. Make sure the bail arm lever (2) is set to the rear of the printer (closed position).

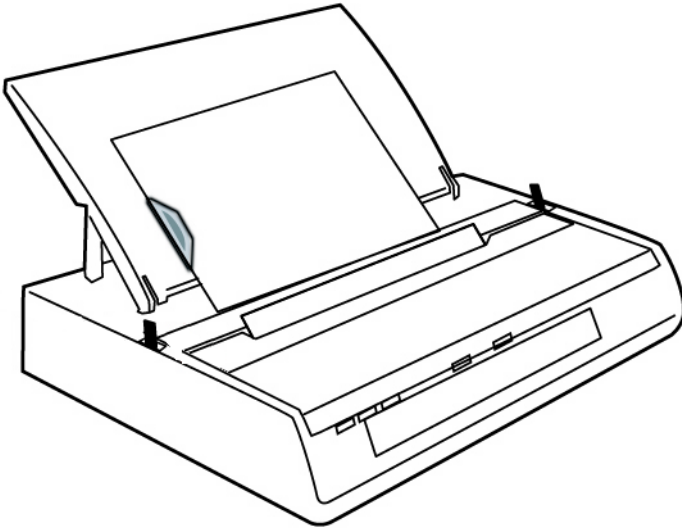
6. Raise the paper separator.



7. Adjust the sheet guide (3) on the paper separator to position the left edge of the sheet, then insert a single sheet along the guide until it reaches the pinch roller.



8. Pull the bail arm lever (2) toward the front of the printer.
The sheet of paper is drawn around the platen.



9. Push back the bail arm lever, ensuring that the paper has been positioned correctly.
10. Press **SELECT** to place the printer on line.

Testing Your Printer

Your printer has a built-in test (self test) to make sure that it is set up and working correctly.



1. Load continuous forms paper into the printer (see page 14, ff.).
2. Make sure the printer is turned off, then press and hold **LINE FEED** while turning the printer on.
The test print begins.
3. To stop the test, press **SELECT** or turn the printer off.

Important

The top of each test printout contains information about your printer. Be sure to have a copy of the printout handy if you have to call for service.

Computer Connections

USB Connection

Notes

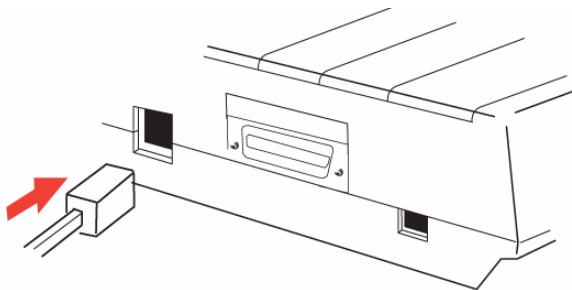
- For connection to a PC running Windows® 98 or above, but not Windows 95 upgraded to Windows 98.
- The operation of a printer is not assured if a USB compatible device is connected concurrently with other USB-compatible machines.
- When connecting multiple printers of the same type, they appear as *****, *****(2), *****(3), etc. These numbers depend on the order of connecting or turning on of each printer.
- USB is a “hot-pluggable” protocol. This means that the printer and computer do not necessarily have to be switched OFF.
- Interface cables are not supplied with your printer.

USB Cable Requirements

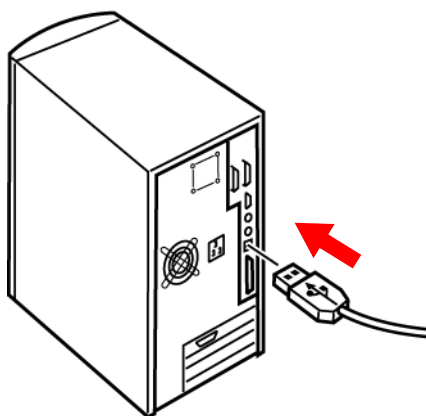


- USB 1.1 or higher
- Max. length 19.7 ft. (5 m)
- USB “B” series connector

1. Attach a suitable USB cable to the USB series “B” port on the back of the printer.



2. Connect the other end of the cable to the computer.



3. If you turned the computer and printer off, turn them back on.

Parallel (LPT) Connection, IEEE-1284 Parallel/USB Model Only

Notes

- Interface cables are not supplied with your printer.
- It is *not* recommended that you connect parallel and USB cables to the printer simultaneously.

Parallel Cable Requirements



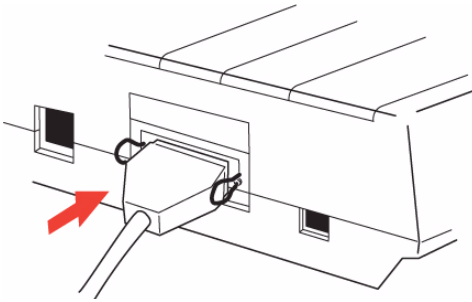
- bi-directional
- max. length 6 ft. (1.8 m)
- 36-pin Centronics type connector

CAUTION!

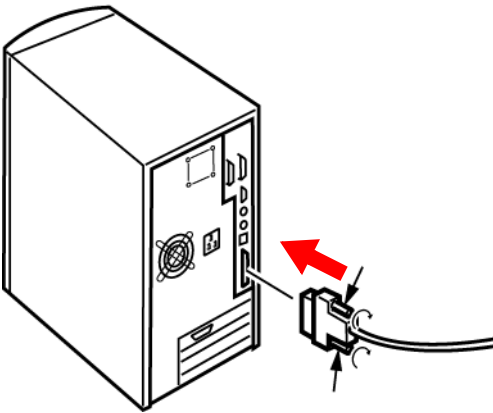
Make sure the printer and computer are both turned OFF.

- 1. Turn both the computer and the printer OFF.**

2. Attach a suitable bi-directional cable to the parallel connector on the back of the printer and secure it with the wire loops.



3. Attach and secure the cable to your computer.



4. Turn the printer and computer back on.

Serial (COM) Connection, RS-232C Serial/USB Model Only

Notes

- Interface cables are not supplied with your printer.
- It is *not* recommended that you connect serial and USB cables to the printer simultaneously.

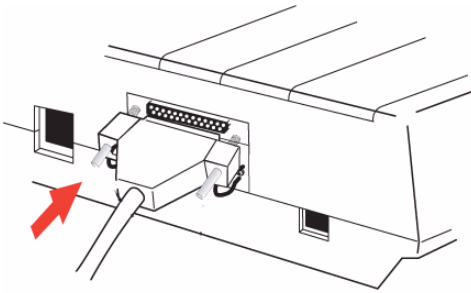
Serial Cable Requirements:

- Shielded RS-232C cable, UL and CSA approved
- Max. length 50 ft. (15 m)
- 25-pin serial connector.

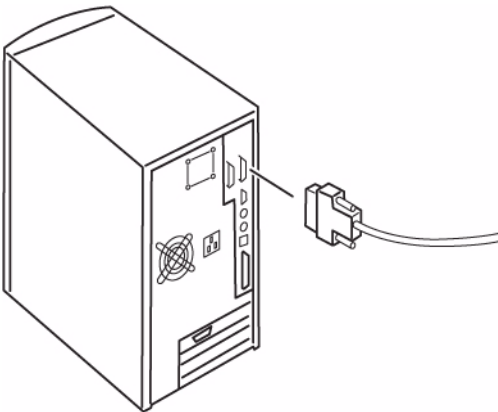
CAUTION!

Make sure the printer and computer are both turned OFF.

1. Switch both the computer and the printer OFF.
2. Plug the cable into the serial port on the back of the printer and tighten the screws.



3. Plug the cable into the computer and tighten the thumbscrews.



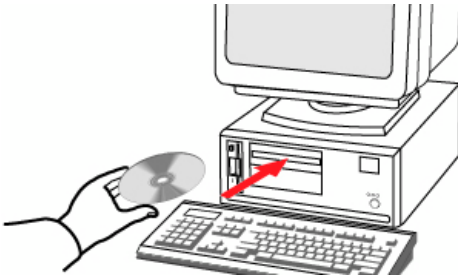
4. Turn the printer and computer back on.

Setting up the Printer to Work with Your Computer

Note

- Settings made in your software application normally override settings made in your printer driver.
- Settings made in the printer driver normally override settings made in the printer menu or via the front panel.

Windows XP, 2000, Me, 98, 95, NT 4.0: Install the Printer Driver



To print from a Windows-based system, install the printer driver located in the Drivers folder on the CD supplied with your printer. This driver incorporates commands which use the full capability of the printer and automatically switches the printer to the correct emulation regardless of which emulation is selected in the printer menu.

1. Place the CD in your CD-ROM drive.
2. Click **Start** → **Settings** → **Printers**.

3. Click **Add Printer**.

The Add Printer Wizard appears.

4. Follow the on-screen instructions.

5. When you get to the window which asks you to select the manufacturer and model of your printer, click **Have Disk**, then browse to the appropriate directory on the CD and double click the inf file:

Windows Version	.inf File Location
XP	\Drivers\WinXP\English\Oemprint.inf
2000	\Drivers\Win2k\English\Oemprint.inf
98	\Drivers\Win98_Me\English\Oemsetup.inf
Me	\Drivers\Win98_Me\English\Oemsetup.inf
95B [OSR2]	\Drivers\Win95\English\Oemsetup.inf
NT 4.0	\Drivers\NT40\English\Printer.inf

6. Follow the on-screen instructions to finish loading the driver.

Non-Windows Systems: Set the Emulation in the Printer Menu

Your printer has three emulations:

- IBM® 2480 — the factory default
- Epson® ESC/P2
- Oki Data® MICROLINE® Standard

If you are using a non-Windows system such as LINUX®, a non-Windows application such as a DOS® program, or an older application such as Word Perfect® 5.1, you need to make sure you have the correct emulation selected in the printer menu (see “Changing the Emulation Default in the Printer Menu” below). If

you have the wrong emulation selected, you will see strange characters, incorrect fonts, etc.

Important

See your software documentation for information on how to select an emulation in that application.

If you are directly replacing a MICROLINE ML184 Turbo or ML184 printer with the ML186, you must make sure that the printer menu on your new ML186 is set to match the emulation being used for the existing printer (see “Changing the Emulation Default in the Printer Menu” below).

For Non-Windows Applications

Your printer is compatible with the emulations listed in the table below and will function properly with software developed for them. To make full use of the ML186 printer’s features, use the top entry for the applicable emulation (e.g., IBM 2480). Entries further down (e.g., IBM Graphics Printer Plus, IBM Graphics Printer) work well with the printer, but do not provide full use of the printer’s capabilities.

ML186 Emulation Mode	Compatible Printers/Drivers
IBM	IBM 2480 IBM Graphics Printer Plus IBM Graphics Printer
Epson	Epson ESC/P2 Epson LX Plus Epson LX
ML	Okidata MICROLINE Standard

Changing the Emulation Default in the Printer Menu

The default for the emulation in the printer menu is IBM. If you wish to change the menu default to another emulation:

1. Make sure continuous forms paper is loaded.
2. Turn the printer off.
3. Press and hold **SELECT** while turning the printer back on.
The printer enters the menu mode.

4. Press **FORM FEED**.
The first line of the menu prints, showing the emulation engaged. For example:

```
Printer Control   Emulation Mode   IBM
```

5. Press **TOF SET** once or twice until the emulation you wish to engage appears in the right-hand column.
Each time you press TOF SET, a new line prints and the setting which appears in the last column changes. For example:

```
Printer Control   Emulation Mode   Epson  
Printer Control   Emulation Mode   ML
```





6. Press **PITCH** and **MODE** together to save your setting and exit the printer menu.


Operating Your Printer

Front Panel Operation









Front Panel Lights

LED	Status, Function
	<p><i>On</i> = Printer is on line. <i>Off</i> = Printer is off line. <i>Flashing</i> = flashes with ALARM light to indicate a fault has been detected.</p>
	<p><i>On</i>, SELECT light <i>off</i> = paper out. <i>On</i>, SELECT light <i>flashing</i> = auto diagnostics have detected an error. <i>Flashing</i>, SELECT light <i>on</i> = printer has overheated. Normal print operation will resume only after a cooling period.</p>
	<p><i>On</i> = printer is turned on. <i>Off</i> = printer is turned off.</p>
	<p>The one lit indicates which character pitch—in characters per inch (cpi)—is engaged.</p>

LED	Status, Function
 The image shows three green LEDs on a grey background. The top LED is labeled 'NLQ', the middle one 'UTILITY', and the bottom one 'HSD'. All three LEDs are currently lit.	<p>The one lit indicates which print mode is engaged:</p> <p>NLQ = Near Letter Quality</p> <p>UTILITY = Draft mode</p> <p>HSD = High Speed Draft mode, or SSD (Super Speed Draft) if 12 cpi is selected.</p>

Front Panel Buttons

Button	Print Mode	Menu Mode	Held at Power Up
	Advances the paper one line	Scrolls through the printer menu groups.	Initiates printer Self Test (see page 59). LINE FEED + SELECT = Initiates Rolling ASCII test (see page 60).
	Advances the paper to the next top of form or ejects single sheet from the printer.	Scrolls through the items for each menu group.	FORM FEED + SELECT = Places printer in hex dump mode (see page 60).
	Sets a new top of form (TOF) position.	Scrolls through the settings for each item within a group.	Sets printer to 17 cpi.
	Toggles the printer on and off line.	Prints list of current menu settings.	Places printer in Menu Mode.
	Selects the character pitch setting (cpi).	PITCH + MODE = save settings and exit to print mode.	Not applicable.
	Sets print mode (NLQ, Utility, HSD).	PITCH + MODE = save settings and exit to print mode.	Not applicable.

Setting Printer Defaults

The printer has an internal menu containing a number of default parameters which can be set to enable your printer to match the parameters required by your computer.

Using the Menu Mode

Entering the Menu Mode

To enter the Menu Mode, press **SELECT** while turning on the printer.

The 12 and UTILITY LEDs flash.

Printing a List of Current Menu Settings

With the printer in the Menu Mode, press **SELECT** to print the complete menu.

The current default settings print out.

Changing Menu Settings

1. Press **SELECT** while turning on the printer.
2. Change settings:
 - a. Press **LINE FEED** to select the relevant group that needs to be changed (the group is the left-hand column on the Menu printout).
 - b. Press **FORM FEED** to select the relevant item within the selected group (the Item is the center column on the Menu printout).
 - c. Press **TOF SET** to cycle through the settings available for the item you want to change (the settings are the right-hand column on the Menu printout).
 - d. To continue making changes:
 - press **LINE FEED** for the next *group*
 - or
 - press **FORM FEED** for the next *item*.
3. Repeat the previous step until you are finished changing settings.
4. Press **PITCH** and **MODE** together to save the changes you have made and exit the Menu Mode.

Important

Exiting the Menu Mode by turning off the printer will cancel any changes you have made.

For Example

The default setting for the zero character is slashed. To change the setting to unslashed:

1. Press and hold **SELECT** while turning the printer on.

The following line prints:

```
Printer Control Emulation Mode      IBM
```

2. Press **LINE FEED** several times until the Symbol Sets group line appears:

```
Symbol Sets      Character Set      SetI
```

3. Press **FORM FEED** repetitively until the Zero Character item line appears:

```
Symbol Sets      Zero Character      Slashed
```

4. Press **TOF SET** once.

The following line prints:

```
Symbol Sets      Zero Character      Unslashed
```

5. Press **PITCH** and **MODE** together to save the setting and exit the Menu Mode.

Default Menu Selections

Default settings are indicated in bold italic.

Group	Item	Setting
Printer Control	Emulation Mode	<i>IBM</i> , Epson, ML
Font	Print Mode	<i>Utility</i> , NLQ Courier, NLQ Gothic, Draft
(Font)	DRAFT Mode	HSD, <i>SSD</i>
(Font)	Pitch	<i>10 CPI</i> , 12 CPI, 15 CPI, 17.1 CPI, 20 CPI
(Font)	Proportional Spacing	<i>No</i> , Yes
(Font)	Style	<i>Normal</i> , Italics
(Font)	Size	<i>Single</i> , Double <u>Selects both double width and double height characters or single width and single height characters.</u>

Group	Item	Setting
Symbol Sets	Character Set	Set I , Set II, Standard, Line Graphics, Block Graphics (ML mode only)
(Symbol Sets)	Language Set	American , French, German, British, Danish I, Swedish, Italian, Spanish I, Japanese, Norwegian, Danish II, Spanish II, Latin American, French Canadian, Dutch, Publisher
(Symbol Sets)	Zero Character	Slashed , Unslashed
(Symbol Sets)	Code Page	USA , Canada French, Multilingual, Portugal, Norway, BRASCII, Abicomp, Multilingual 858, ISO8859-15
Vertical Control	Line Spacing	6 LPI , 8 LPI
(Vertical Control)	Skip Over Perforation	No , Yes
(Vertical Control)	Page Length	11" , 11-2/3", 12", 14", 17", 5", 3", 3.25", 3.5", 4", 5.5", 6", 7", 8", 8.5"
Set-Up	Graphics	Bi-directional, Uni-directional
(Set-Up)	7 or 8 Bits Graphics <u>ML emulation only.</u>	8, 7
(Set-Up)	Receive Buffer Size	1 Line*, 32K, 64K , 128K <u>* When 1 Line is selected, the receive buffer size is 2K bytes.</u>
(Set-Up)	Paper Out Override	No , Yes

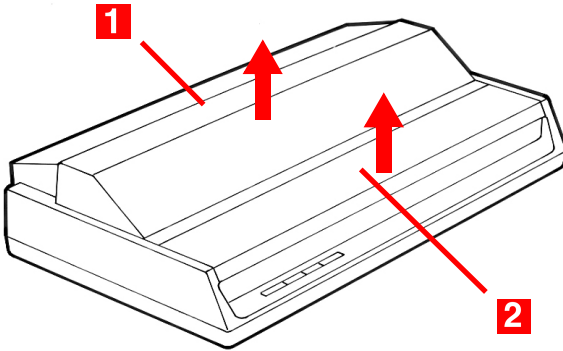
Group	Item	Setting
(Set-Up)	Print Registration	0.25 mm Right, 0.20 mm Right, 0.15 mm Right, 0.10 mm Right, 0.05 mm Right, 0 , 0.05 mm Left, 0.10 mm Left, 0.15 mm Left, 0.20 mm Left, 0.25 mm Left
(Set-Up)	7 or 8 Bits Data Word <u>ML emulation only.</u>	8 , 7
(Set-Up)	Operator Panel Function	FULL OPERATION , Semi Operation*, Limited Operation <u>* When Limited Operation is selected, after exiting the Menu, only the SEL, LINE FEED and FORM FEED buttons operate. The PRINT QUALITY, TOF and PITCH buttons are inactive.</u>
(Set-Up)	Reset Inhibit	No , Yes
(Set-Up)	Print Suppress Effective	No, Yes
(Set-Up)	Auto LF	No , Yes
(Set-Up)	Auto CR	No, Yes
(Set-Up)	SI Select Pitch (10 CPI)	15 CPI, 17.1 CPI
(Set-Up)	SI Select Pitch (12 CPI)	12 CPI , 20 CPI
(Set-Up)	Time Out Print	Valid, Invalid
(Set-Up)	Auto Select	No , Yes
(Set-Up)	ESC SI Pitch	17.1 CPI , 20CPI

Group	Item	Setting
(Set-Up)	Impact Mode	Normal , Quiet
Parallel I/F <u>Only appears for printers equipped with Parallel Interface.</u>	I-Prime	Invalid, Buffer Print , Buffer Clear
(Parallel I*/F)	Pin 18	+5v , Open
(Parallel I*/F)	Auto Feed XT	Valid, Invalid
(Parallel I/F)	Bi-Direction	Enable , Disable
Serial I/F <u>Only appears for printers equipped with Serial Interface.</u>	Parity	None , Odd, Even
(Serial I/F)	Serial Data 7 or 8 Bits	8 bits , 7 bits
(Serial I/F)	Protocol	Ready/Busy , X-ON/X-OFF
(Serial I/F)	Diagnostic Test	No , Yes
(Serial I/F)	Busy Line	SSD- , SSD+, DTR, RTS
(Serial I/F)	Baud Rate	19,200 bps, 9600 bps , 4800 bps, 2400 bps, 1200 bps, 600 bps, 300 bps
(Serial I/F)	DSR Signal	Valid , Invalid
(Serial I/F)	DTR Signal	Ready on Power Up , Ready on Select
(Serial I/F)	Busy Time	200 ms , 1 sec

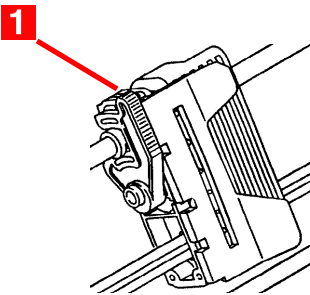
Using the Pull Tractor Unit (if installed)

Paper can be loaded from the rear of the printer or, if you have a slotted printer stand, it can be loaded from the bottom.

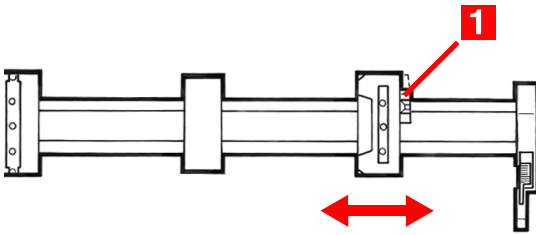
1. Remove the acoustic cover (1) and access cover (2).



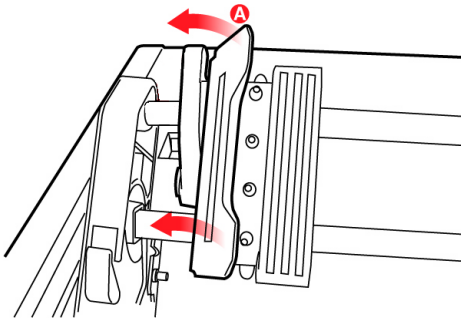
2. Adjust the left tractor if necessary, *making sure that it is not more than 1/2-inch (12.7 mm) from the left end of the tractor unit.* To move the tractor, pull the lock lever (1) forward, slide the tractor to the desired position, then push the lever back to lock it in place.



3. Adjust the right tractor to the paper width by pulling its lock lever (1) forward, sliding the tractor to the desired position, then pushing the lever back to lock it in place.

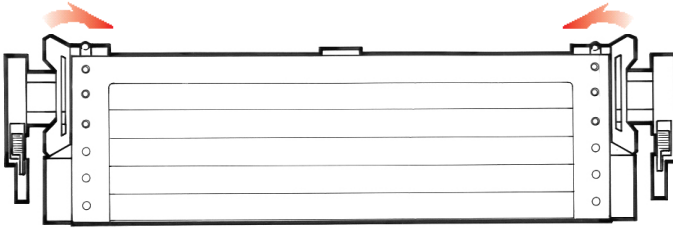


4. Pull the paper under the bail arm and up to the level of the tractor unit.
5. Open the sprocket covers (A) at either end of the pull tractor.



6. Pull the paper lever (on the right side of the printer) forward to the continuous forms position.

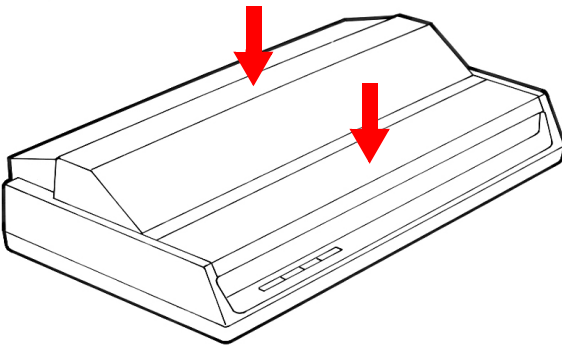
7. Place the holes in the paper over the sprockets on the pull tractor unit and close both sprocket covers.



Note

Be careful to align the paper properly so that an equal number of holes are engaged on the sprockets at either end of the pull tractor. Misalignment will cause paper jams and/or ripping.

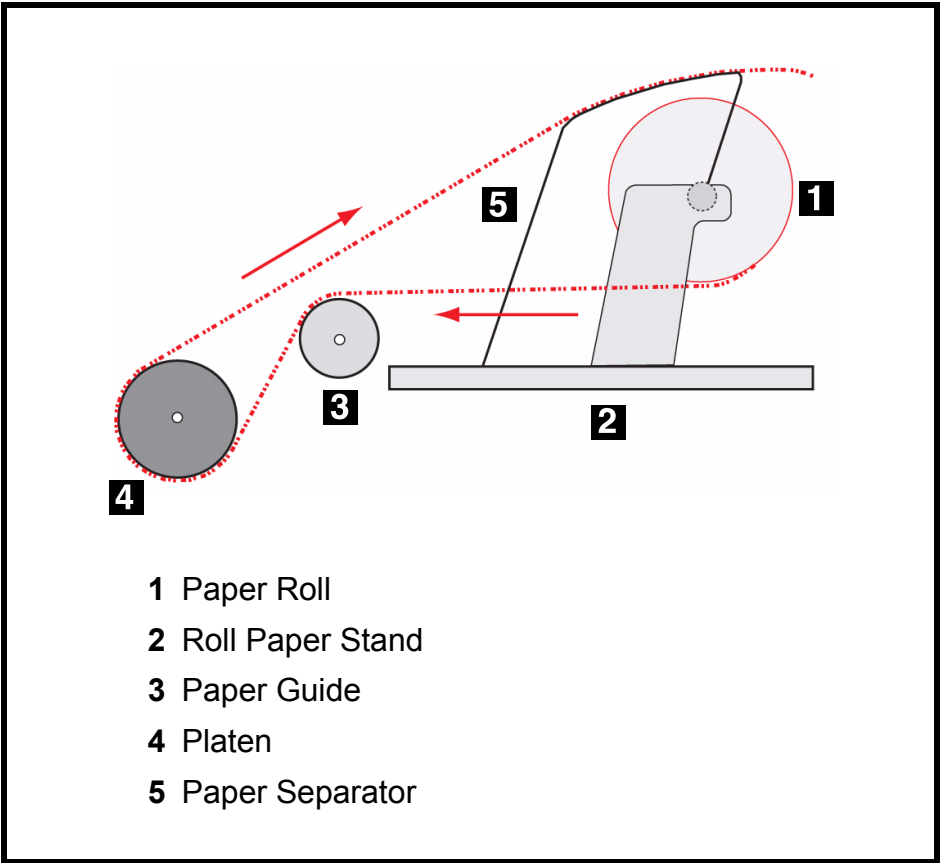
8. Replace the access cover and acoustic cover.



Using the Roll Paper Stand (if installed)

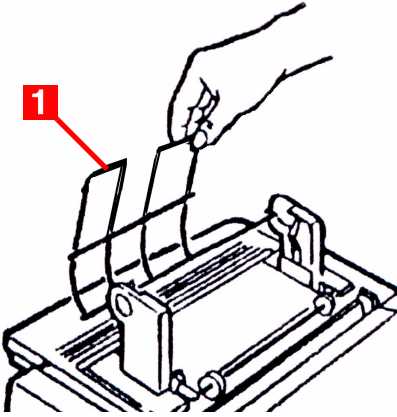
Loading the Paper

Correct Paper Path

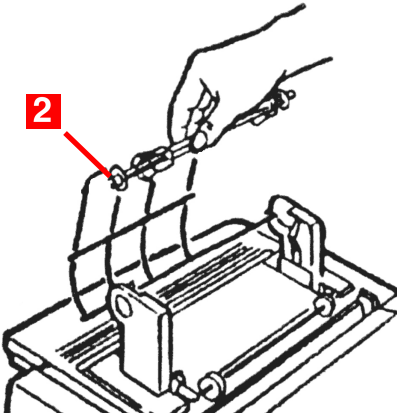


1. Remove the access cover from the printer.
2. Place the paper lever (right side of printer) in the single sheet position (back) and the bail arm lever (left side of printer) toward the front of the printer (bail arm raised away from platen).

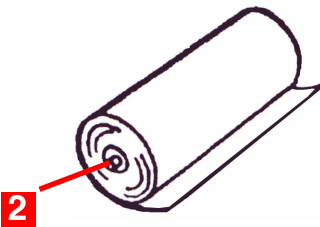
3. Open the paper separator (1).



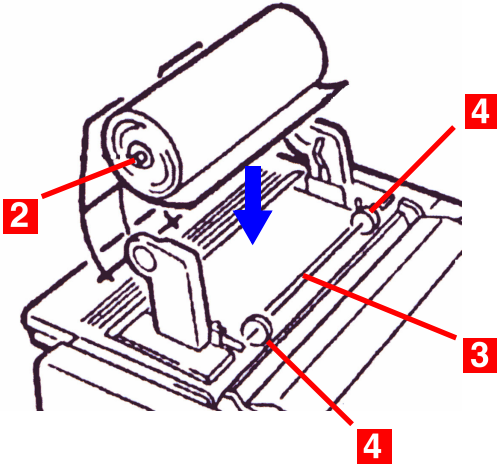
4. Remove the paper roller. Note that there is a disk (2) on the left end of the roller.



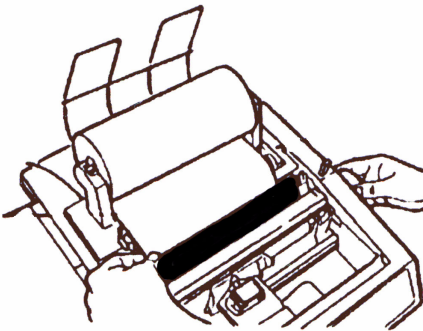
5. Slide the roller into a roll of paper, making sure that the disk (2) is on the left side and that the paper rolls up from the bottom.



- Put the paper roller back into the stand, with the disc (2) on the left side.



- Feed the paper **over** (not under!) the roller (3) on the stand, adjusting the round paper guides on either end (4) to the paper width.
- Feed the paper down behind the platen and use the platen knob to bring the paper through the printer. Feed the paper in as straight as possible.



- Continue to feed the paper through for approximately 4 inches (102 mm).

10. Pull the paper lever (right side of printer) toward the front of the printer—to the continuous forms position—and make sure the paper is straight by adjusting it to align the left and right sides behind the platen with the sides in front of the platen.

Important

Be sure that the paper covers the groove in the left end of the platen so that it clears the paper out detector.

11. Push the paper lever back to the single sheet position to reapply pressure on the platen.
12. Push the bail arm lever (left side of printer) back to close the bail arm.
13. Replace the access cover:
 - a. Fit the cover tabs into the slots at the printer front.
 - b. Lower the cover carefully, making sure the paper fits through the front slot in the access cover.
14. Lower the paper separator so that paper enters the printer from under the separator and exits the printer going over the separator (see “Correct Paper Path” diagram on page 53).
15. Turn the platen knob to move the paper to the point where you want printing to start. (Many word processing packages automatically allow for a top margin of 1 inch [25 mm]).

Note

To save this position as the permanent Top of Form, press the TOF button.

Maintenance

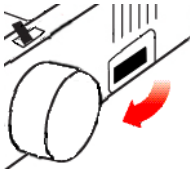
Replacing the Ribbon Cartridge

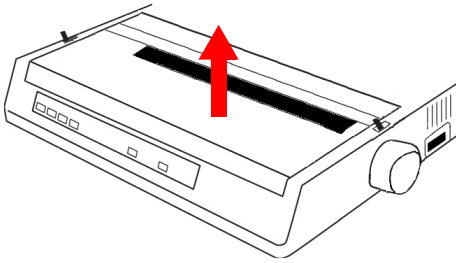
For more details, see page 7.

WARNING!

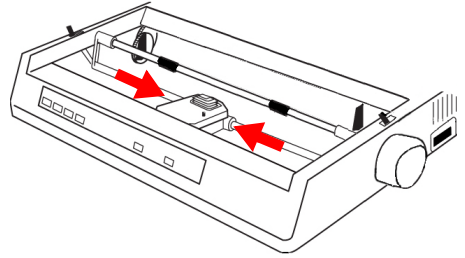
If the printer has been recently used, the printhead may be **HOT!**

- 1** Turn the printer *off*!

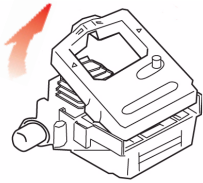




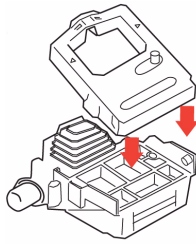
2



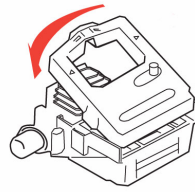
3



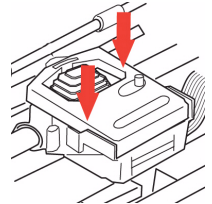
4



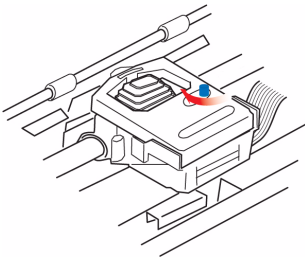
5



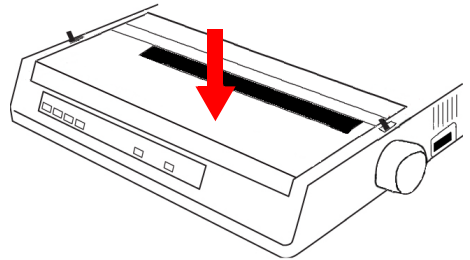
6



7



8



9

Testing Your Printer

Self Test (Font Samples)

Your printer has a built-in test (self test) to make sure that it is set up and working correctly.



1. Load continuous forms paper into the printer (see page 14, ff.).
2. Make sure the printer is turned off, then press and hold **LINE FEED** while turning the printer on.
The test print begins.
3. To stop the test, press **SELECT** or turn the printer off.

Note

The top of each test printout contains information about your printer. Be sure to have a copy of the printout handy if you have to call for service.

Rolling ASCII Test

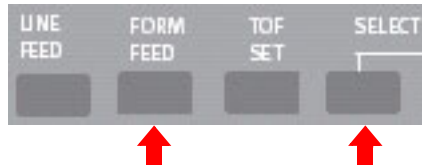
The Rolling ASCII Test produces a continuous sampling of ASCII characters using the default type style. To run the test:



1. Make sure continuous forms paper is loaded.
2. With the printer turned off, press and hold **SELECT** and **LINE FEED** while turning the printer on.
The Rolling ASCII Test begins.
3. To stop the test, press **SELECT** or turn the printer off.

Hex Dump Mode

In Hex Dump Mode, all data sent to the printer, including text and printer commands, prints in both hexadecimal and ASCII format.



- To place the printer in the Hex Dump Mode, press and hold **SELECT** and **FORM FEED** while turning the printer on.
- To disengage the Hex Dump Mode, turn the printer off, then on again.

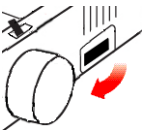
Cleaning the Housing

CAUTION!

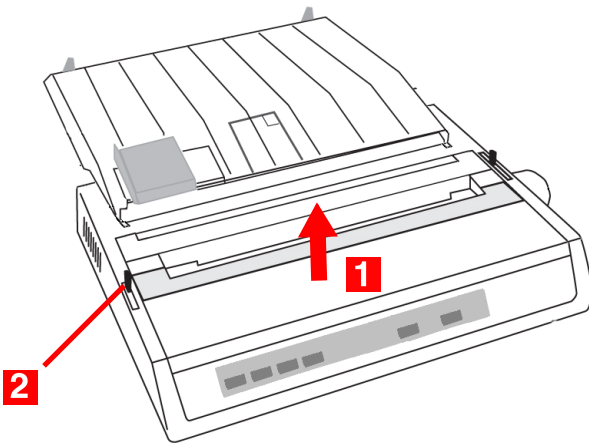
Never use solvents or strong detergents on the cabinet: they could damage the housing.

You should clean the printer every six months (or after about 300 hours of operation).

1. Turn the printer **off**.



2. Remove any paper from the path.
3. Remove the access cover. (1)



4. Pull the bail arm lever (2) forward to lift the bail arm.
5. Use a clean, dry cloth to dust around the carriage shaft and platen.
6. Remove any loose bits of paper.

7. Push the bail arm lever back and reinstall the access cover.
8. Reload paper.
9. Turn the printer on.

Troubleshooting

General Information

Here are some general things to check before proceeding with detailed troubleshooting.

- Is the printer plugged in and turned on?
- Are the connections (power and interface) secure?
- Is the printer being operated under the proper ambient conditions (see page 82)?
- Does the paper being used meet the specifications for this printer (see page 81)?
- Is the paper properly installed (see pages 14, ff.)?
- Is the ribbon properly installed (see pages 7, ff.)?
- Is an Oki ribbon being used?
- Is the head gap correctly set (see page 11)?
- Are the correct printer drivers being used for the printer (see page 35)?

Note

- Settings made in your software application normally override settings made in your printer driver.
- Settings made in the printer driver normally override settings made in the printer menu or via the front panel.

General Problems/Solutions

Problem _____

My word processor files do not print the way I have the menu and front panel set.

Solution

1. Check your software application and/or printer driver settings: these override the menu and front panel settings (see Note above).
2. Before sending a file to the printer, many word processors send either an “initialization string” or an I-Prime signal to the printer.

The initialization string contains codes that override the panel and menu settings. To change your printer to ignore the reset code, enter the Menu Mode, go to the Set-Up group and change the setting for Reset Inhibit to Yes.

The I-Prime signal will automatically override any front panel settings you have made. To eliminate this problem, enter the Menu Mode, go to the Parallel Interface group and change the setting for I-Prime to Invalid.

For more information on changing menu settings, see page 42.

Problem _____

Nothing happens when I turn on the printer.

Solution

1. Check the power cord connection to the outlet and to the printer.
2. If you are using a power strip, make sure it is turned ON, and that the fuse hasn't blown or that the circuit breaker hasn't tripped.
3. If the solution is not obvious — call for service.

Problem _____

The printer does not print when the computer sends data.

Solutions

1. Is the **SELECT** light on? If not, press **SELECT**.
2. Check that the interface cable is securely connected to both the printer and the computer.
3. If you have the optional serial interface board installed, check to be sure that it is firmly seated in the printer and that the interface cable is securely connected to both the printer and the computer.

Problem _____

I'm getting strange symbols, incorrect fonts, etc., when I try to print a document.

Solutions

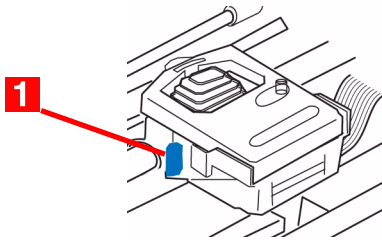
1. Check to be sure that the printer driver you have selected in your software matches the printer emulation: see "Follow the on-screen instructions to finish loading the driver." on page 36 and "Changing Menu Settings" on page 44.
2. If you have embedded any printer commands in your software, check to be sure that you entered them correctly.

Problem _____

Ink smears on the paper when I print narrow columns.

Solutions

The head gap could be too close. Check that the Head Gap Lever (1) is set correctly (see “Adjusting the Head Gap” on page 11).

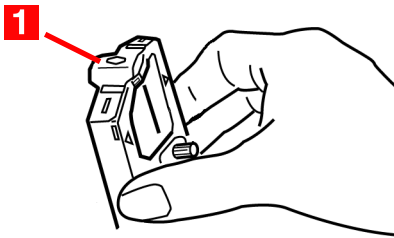


Problem _____

I've installed a new ribbon and the printing is smeared and streaked.

Solution

The ribbon shield (1) is either loose or missing.



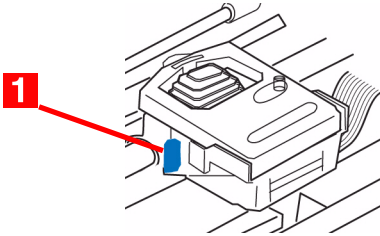
1. Remove the ribbon cartridge and check the ribbon shield.
2. If it is loose, secure it.
3. If it is missing, find it and install it. If you cannot find it, see if you have an old ribbon cartridge with the shield still on it. If so, remove the shield from it and put in on the current ribbon cartridge. If not, replace the ribbon cartridge.

Problem

There are dots missing in my printouts (typically, tops and /or bottom of characters missing).

Solution

The head gap may not be set correctly. Try moving the Head Gap Lever (1) to a lower setting.



If that doesn't help, the printhead may be damaged; call for service.

Problem

The ALARM light is flashing.

Solution

Try turning the printer off, then back on again. If the light still blinks, call for service.

Problem

The Print Quality and Character Pitch keys on the front panel don't work.

Solution

The Operator Panel Function in the printer menu can be used to disable these buttons (Limited Function). If the printer is part of a customized system or if it is used by a number of people, the system manager may have used this option to make sure the printer is always set properly.

Check with your system manager before changing any menu settings.

Problem _____

My printer keeps indicating “Paper out” even though there is paper installed.

Solution

The most likely cause is that the paper sensor groove at the left end of the platen is not covered by the paper. Move the paper over to cover the sensor groove.

Problem _____

When I am using continuous feed paper, the sprocket holes are torn, causing alignment problems.

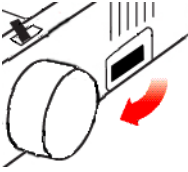
Solution

The most likely cause is that the paper lever (right side of printer) is in the single sheet position. Make sure the lever is in the continuous forms position (forward).

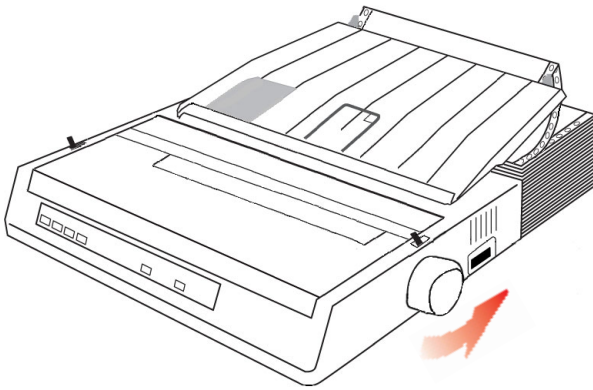
Clearing Paper Jams

Rear Feed Jams

1. Turn the printer off.



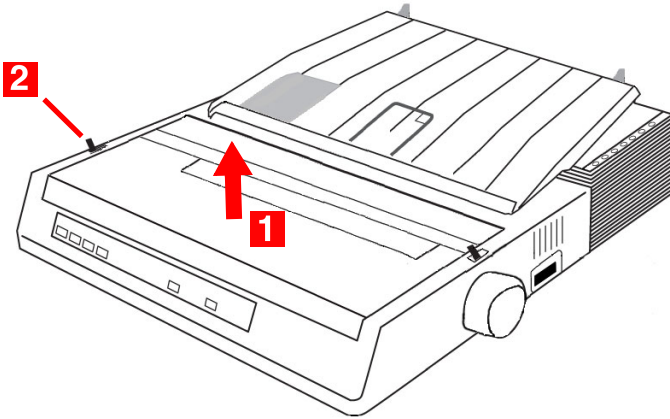
2. Use the platen knob to back the paper all the way out of the printer.



CAUTION!

Make sure the printer is turned OFF before you remove the access cover.

3. Remove the access cover (1).



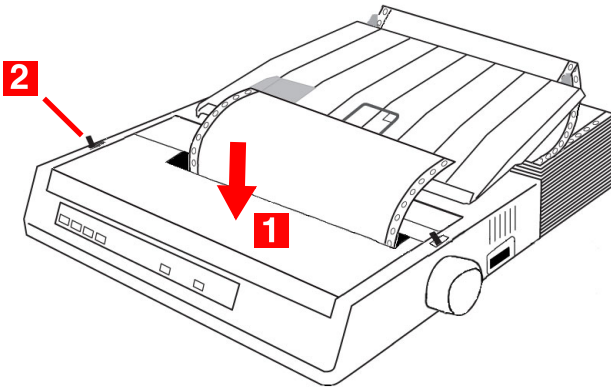
4. Move the bail arm lever (2) toward the front of the printer to open the bail arm.

WARNING!

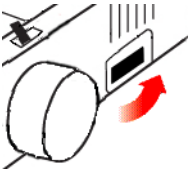
The printhead may be **HOT!**

5. Remove any torn paper.
6. Reload the paper (see pages 14, ff.).

7. Move the bail arm lever (2) towards the rear of the printer and replace the access cover (1) being sure to feed the edge of the paper through the slot in the cover.



8. Turn the printer on.



Rear Feed, Repeating Paper Jams

If the paper keeps jamming, you may have:

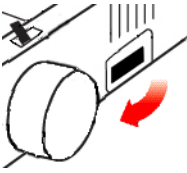
- defective paper
- misaligned paper
- bits of paper in the paper path

For Defective Paper

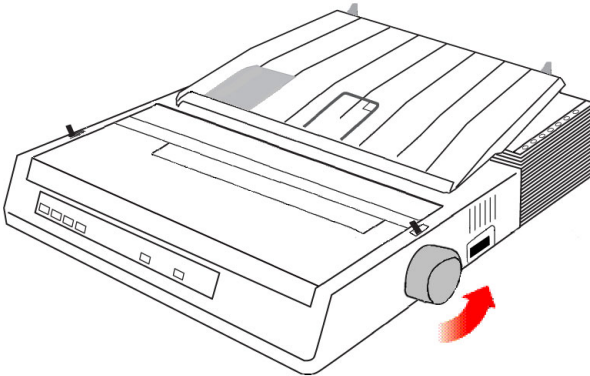
Replace the defective paper with a fresh stack.

For Misaligned Paper

1. Turn the printer off.

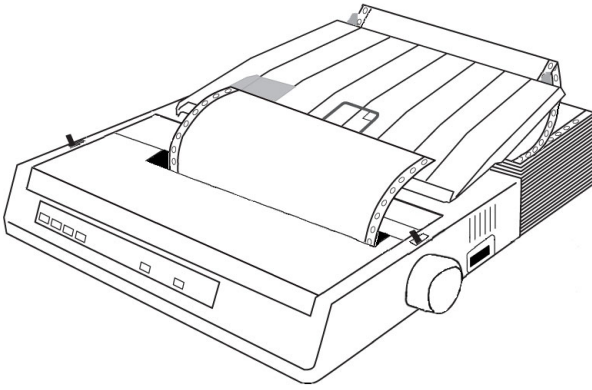


2. Use the platen knob to back the paper all the way out of the printer.

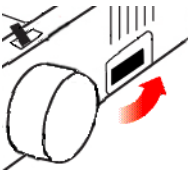


3. Tear off a couple of sheets of paper, leaving a new, clean, square-cut edge.

4. Reload the paper.

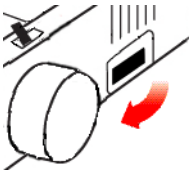


5. Turn the printer back on.



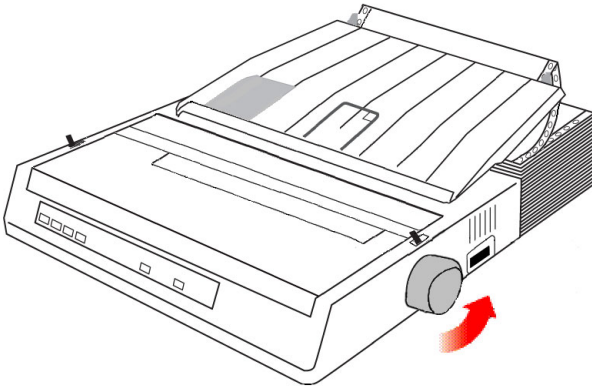
For Bits of Paper in the Paper Path

1. Turn the printer off.



2. Remove any accessories.

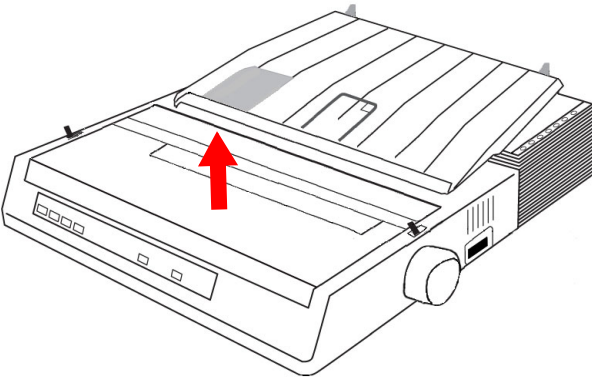
3. Use the platen knob to back the paper all the way out of the printer.



CAUTION!

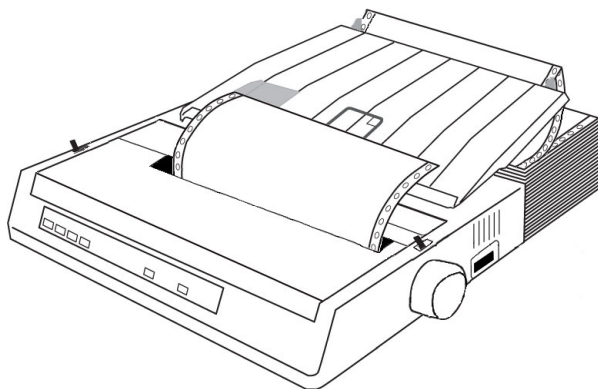
Make sure the printer is turned OFF before you remove the access cover.

4. Remove the access cover.

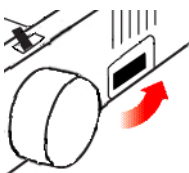


5. Remove any debris from the paper path.
6. Replace the access cover and any accessories which you removed.

7. Reload the paper.

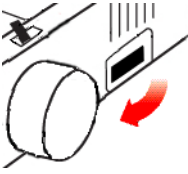


8. Turn the printer on.



Single Sheet Paper Jams

1. Turn the printer off.

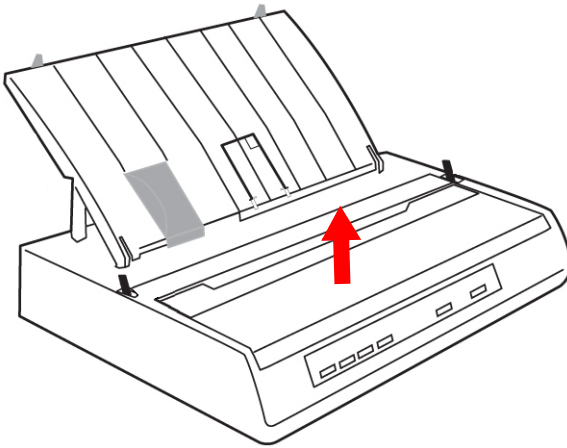


2. Use the platen knob to back the paper out.

CAUTION!

Make sure the printer is turned OFF before you remove the access cover.

3. Remove the access cover.

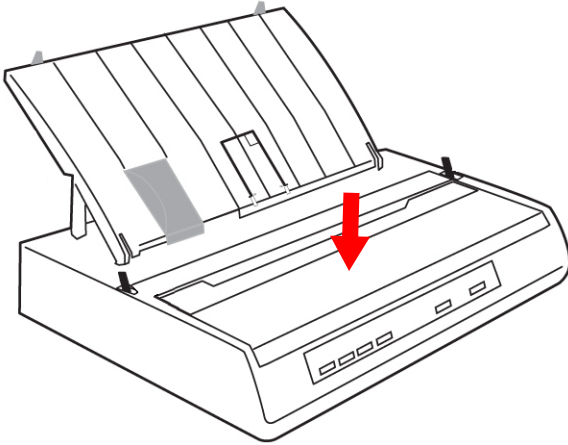


WARNING!

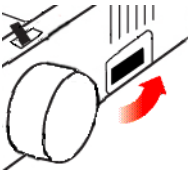
If the printer has been recently used, the printhead may be **HOT!**

4. Remove any torn pieces from around the carriage.

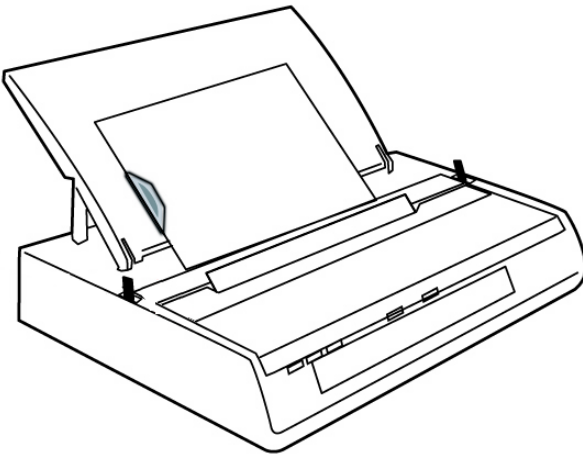
5. Replace the access cover.



6. Turn the printer back on.



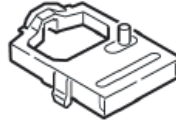
7. Reload the paper.



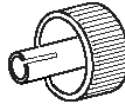
Parts & Options

Replacement Parts

**Ribbon Cartridge
(Oki 52102001)**



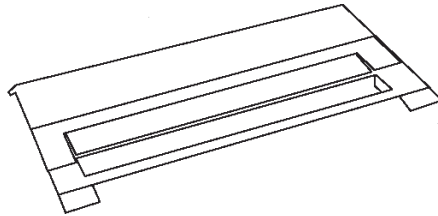
**Platen Knob
(Oki 53459807)**



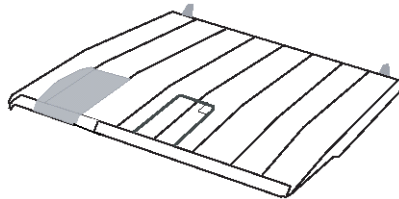
**Power Cord
(Oki 56609701)**



**Access Cover
(Oki 53467410)**



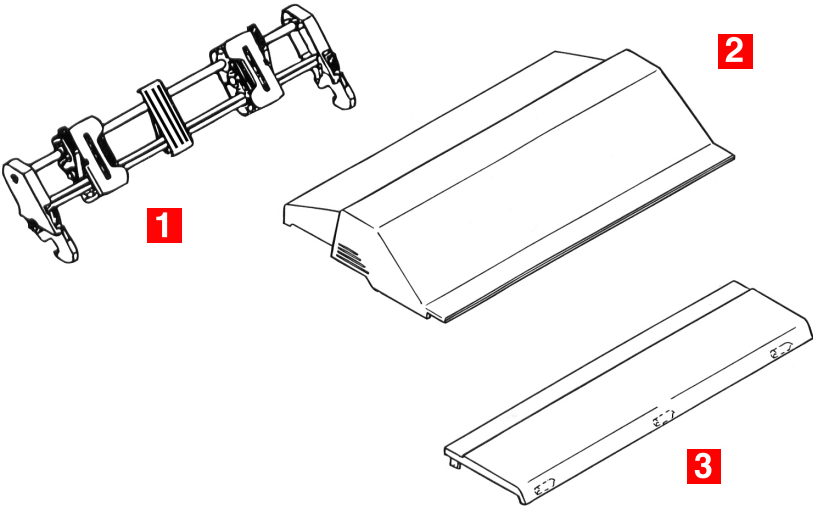
**Paper Separator
(Oki 53459303)**



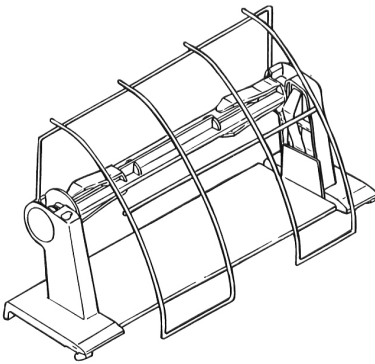
Options

Pull Tractor (Oki 70009701)

Includes Pull Tractor (1), Acoustic Cover (2) and Access Cover (3).



Roll Paper Stand (Oki 70007701)



Specifications

General

Print Method	Impact dot matrix
Printhead	9 pins, 0.30 mm (0.0118") diameter, with thermal protection
Emulations (co-resident)	IBM 2480 Epson ESC/P2 Okidata MICROLINE Standard
Print Speed, characters per second (cps) Super Speed Draft (SSD) High Speed Draft (HSD) Utility (UTL) Near Letter Quality (NLQ)	375 cps (12 cpi only) 333 cps 250 cps 62.5 cps
Buffer size	128 Kb

Paper

Type	Feed	Weight	Width
Cut Sheets	Top only	16 to 21 lb. US Bond (60 to 81 g/m ²)	3" to 9.5" (76 to 241 mm)
Continuous, Single Part	Rear/Bottom	14 to 20 lb. US Bond (53 to 75 g/m ²)	3" to 9.9" (76 to 251 mm)
Continuous, Multipart • 4 sheets (orig. +3), Carbonless • Up to 0.11" (0.28 mm) thick	Rear/Bottom	14 to 20 lb. US Bond (53 to 75 g/m ²)	3" to 9.9" (76 to 251 mm)

Reliability

Ribbon Life	3 million characters, on average
Printhead Life	200 million characters average in 10 cpi utility mode
Mean Time Between Failures (MTBF)	20,000 hours at 25% duty cycle and 35% page density
Mean Time to Repair (MTTR)	15 minutes

Physical

Height	3.15" (80 mm)
Width	14.65" (372 mm)
Depth	10.83" (275 mm)
Weight	9.9 lb. (4.5 Kg)

Electrical

Voltage	120V, +6%, -15% 230V, +15%, -14%
Frequency	50 or 60 Hz, $\pm 2\%$

Environmental

Temperature Operating Storage	41 to 104°F (5 to 40°C) -40 to 158°F (-40 to +70°C))
Humidity Operating Storage	20 to 80% RH 5 to 95% RH
Noise level	Normal: Less than 54 dBA Quiet Mode: Less than 51 dBA

Interfaces

Parallel Models	Centronics Parallel, IEEE-1284 compliant USB 1.1
Serial Models	RS-232C Serial USB 1.1

Index

A

- Access cover
 - replacement # 78
- ALARM light 39

B

- Bail arm 14
- Bail arm lever 14
- Bottom feed paper
 - loading 21–24
- Buffer size 80
- Buttons, front panel 41

C

- Caution boxes 4
- Cleaning the housing 61
- Computer connections
 - parallel 32–33
 - serial 33–34
 - USB 30
- Continuous forms
 - loading
 - bottom feed 21–24
 - rear feed 16–20
 - specifications 81
- Cut sheet paper 81

D

- Default
 - menu settings 46
- Defaults 42–43
 - menu mode 48–49
- Dimensions 82
- Drivers, printer 35

E

- Electrical specifications 82
- Emulations 36, 80
- Environmental specifications 82

F

- FORM FEED button 41
- Frequency 82
- Front panel 39–41
 - buttons 41
 - lights 39–40

G

- Gap, printhead 11

H

- Head gap 11
 - lever 14
- Hex dump mode 60
- Humidity specifications 82

I

- Important boxes 4
- Interfaces
 - parallel 83
 - serial 83
 - USB 83
- I-Prime 49

J

- Jams, paper
 - rear feed 69–75
 - single sheet 76–77

K

- Knob, platen 10

L	
LEDs, front panel	39–40
Levers	14
Lights, front panel	39–40
LINE FEED button	41
Loading paper	14–29
Location	5
M	
Menu	
changing settings	44–45
default settings	48–49
defaults	43
settings	42
settings, changing	44
Menu mode	42–49
MODE button	41
Mode lights	40
N	
Noise level specifications	82
Notes	4
O	
Options	
pull tractor	79
roll paper stand	79
P	
Paper jams	
rear feed	69–72
single sheet	76–77
Paper lever	14
Paper loading	
continuous forms	14–24
bottom feed	21–22
rear feed	16–20
single sheets	25–29
Paper separator	
installing	12
replacement #	78
Paper specifications	81
Parallel	
computer connection	32–33
interface menu settings	49
PITCH button	41
PITCH lights	39
Platen knob	10
replacement #	78
Power connection	13
Power cord	
replacement #	78
POWER light	39
Print speed	80
Printer	
defaults	42
dimensions	82
drivers	35
emulations	36
reliability	81
weight	82
Printhead	78
gap	11
life	81
shipping restraint	6
specifications	80
Pull tractor	79
using	50, 52

R

- Rear feed paper
 - loading16–20
- Reliability81
- Replacement parts78
- Ribbon cartridge
 - installing7
 - life81
 - replacement #78
 - replacing7, 57
 - take-up knob10
- Ribbon shield8
- Roll paper stand79
 - using53–56
- Rolling ASCII test60

S

- SELECT button41
- SELECT light39
- Self test29, 59
- Separator, paper12
- Serial interface
 - connection33–34
 - menu settings49
- Shipping restraints6
- Single sheet paper
 - loading25–29
 - specifications81
- Specifications80–83

T

- Take-up knob, ribbon10
- Temperature specifications82
- Testing29
- Tests
 - font sample59
 - hex dump mode60
 - Rolling ASCII60
 - self test59
- TOF SET button41

U

- Unpacking5
- USB connection30–31

V

- Voltage82

W

- Warning boxes4
- Weight82